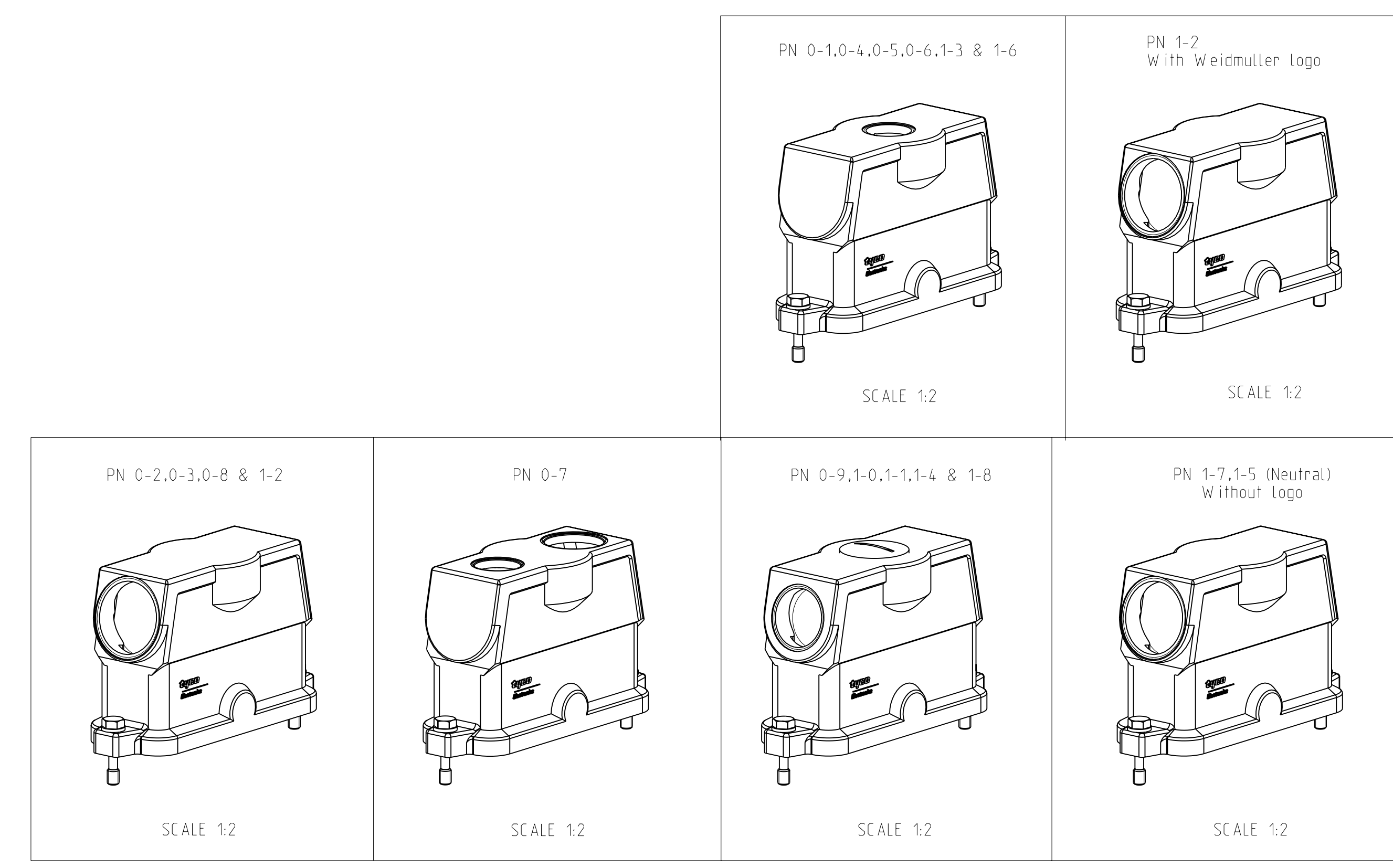
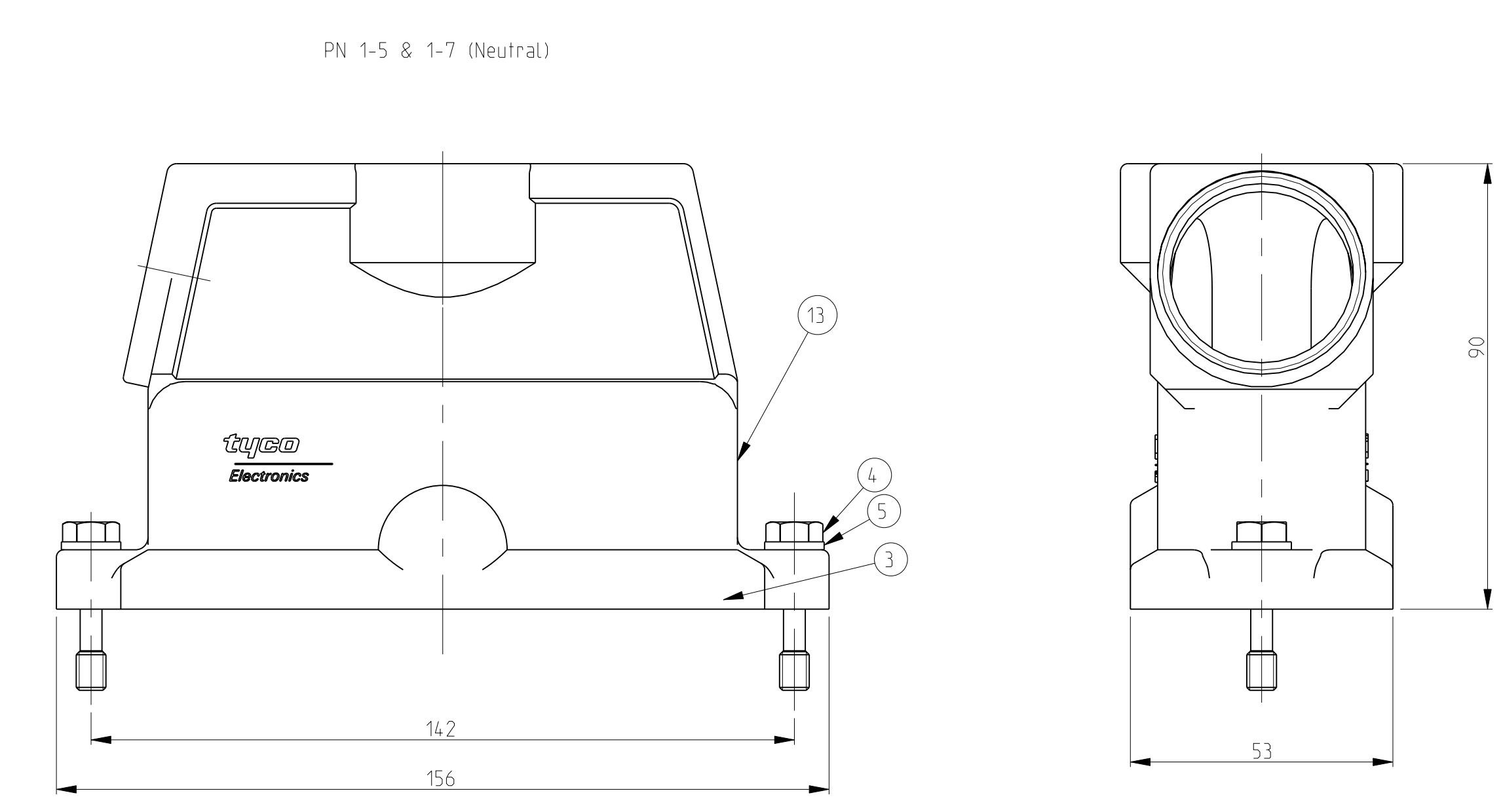
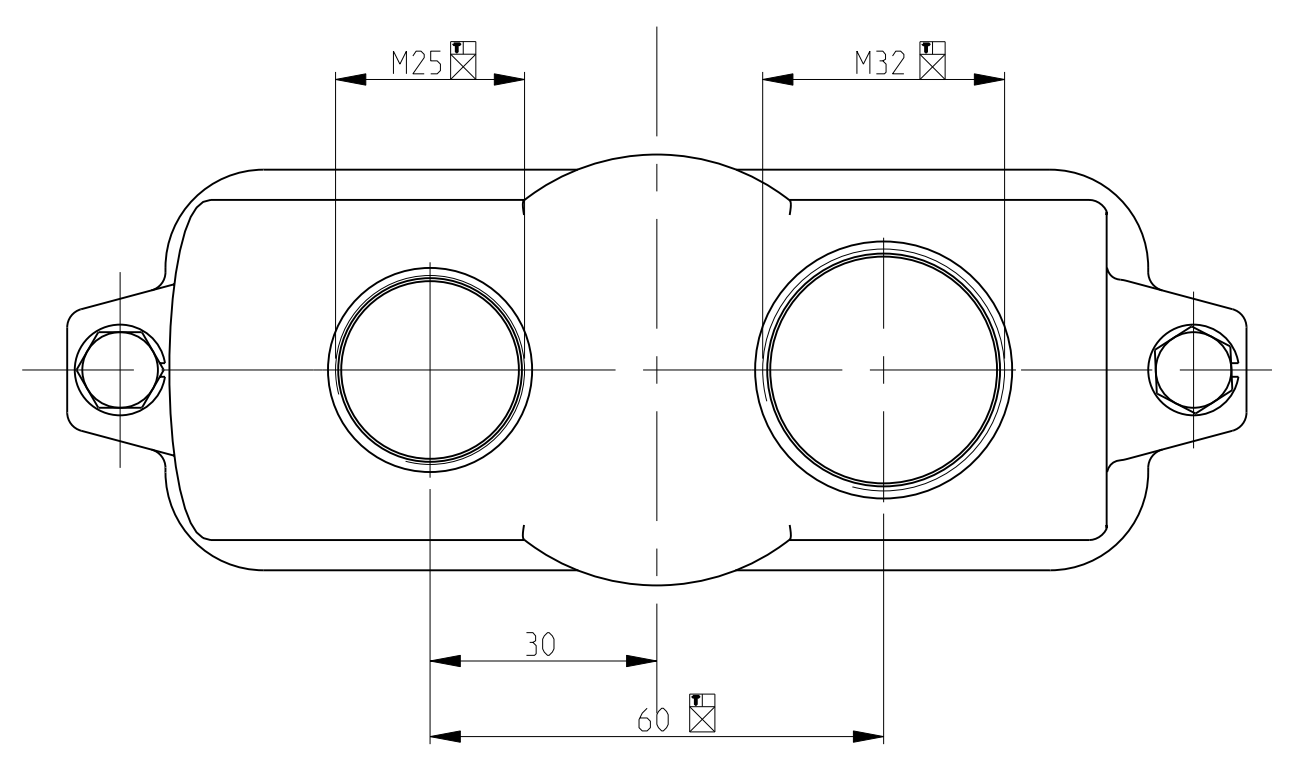
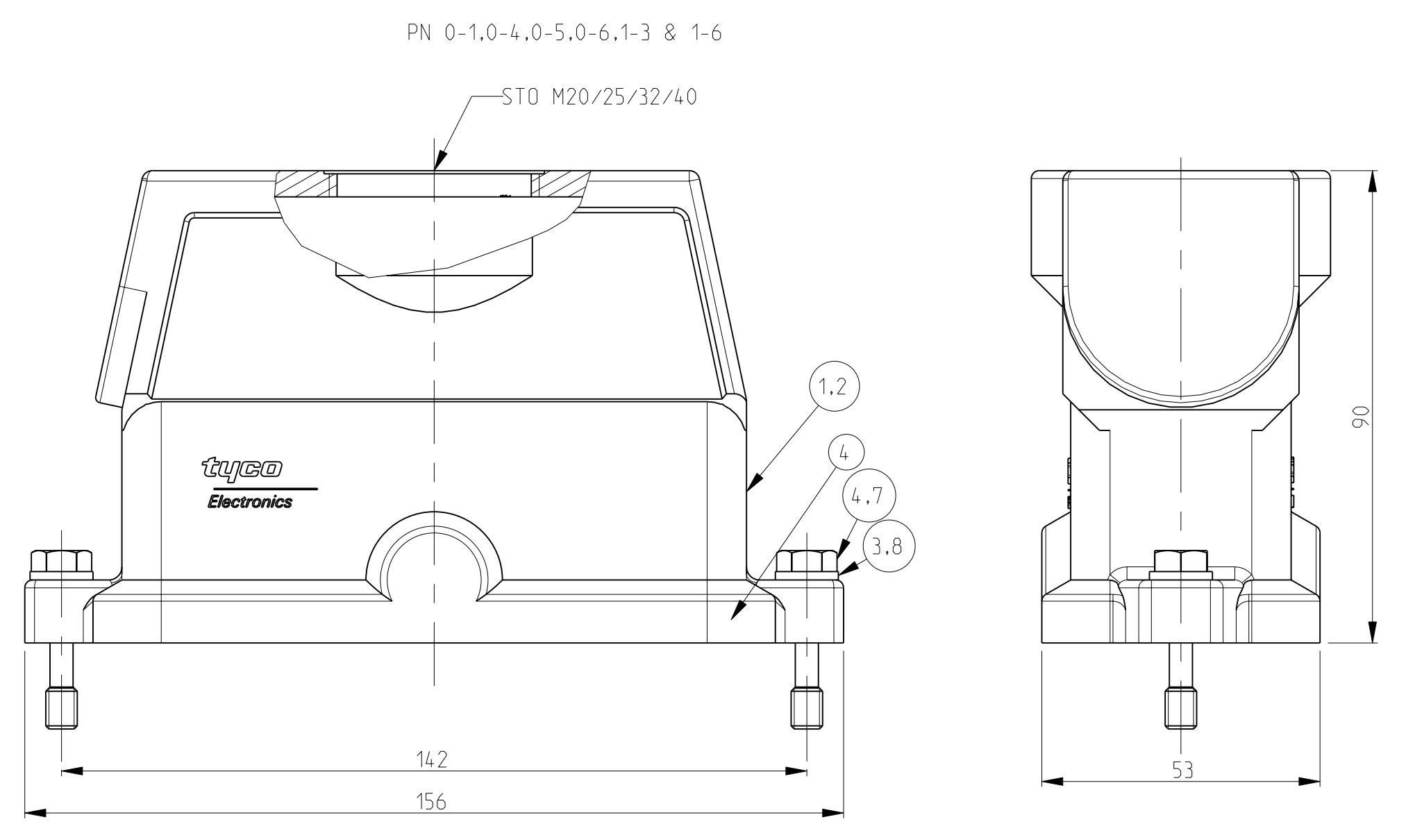
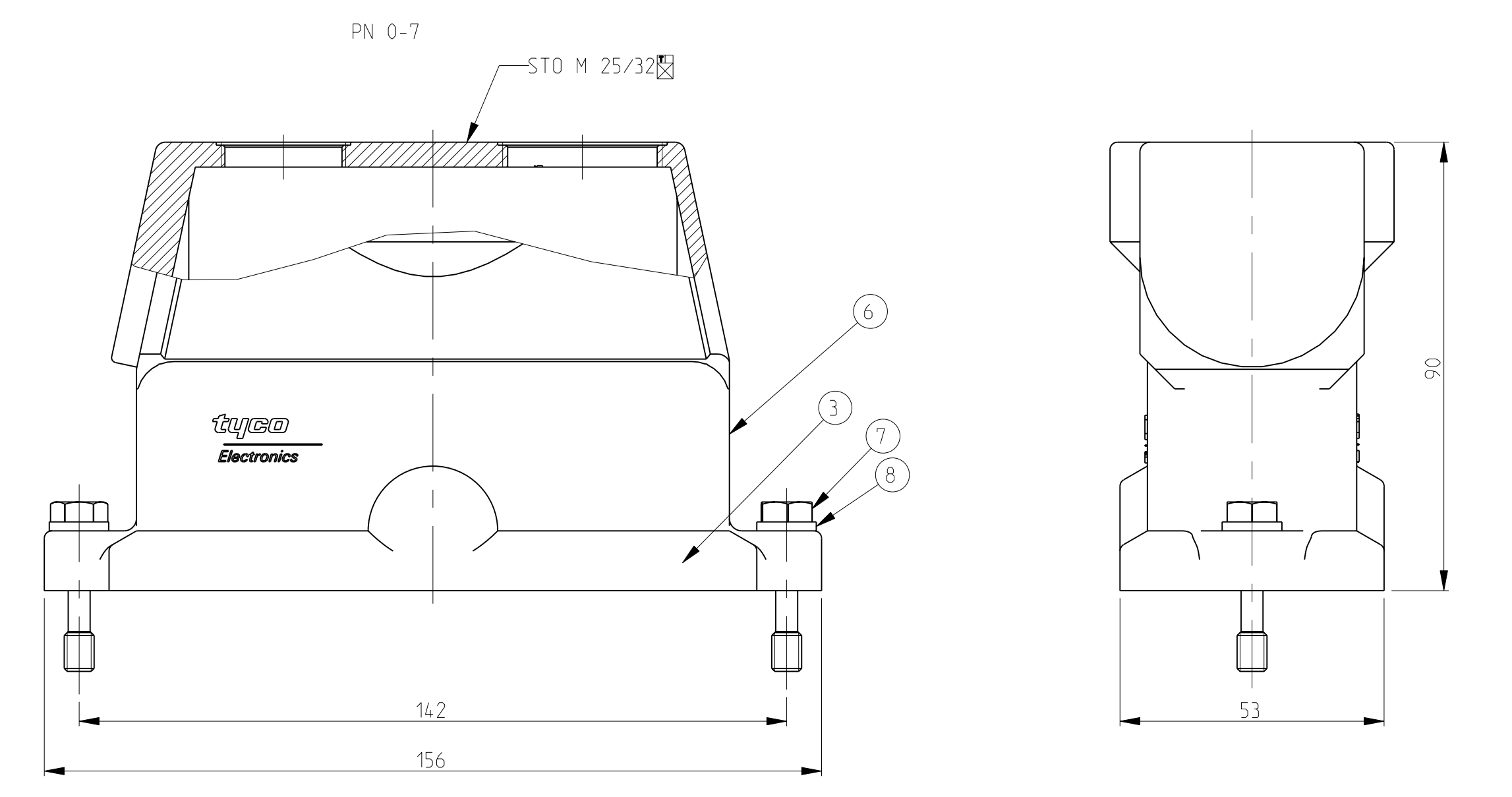
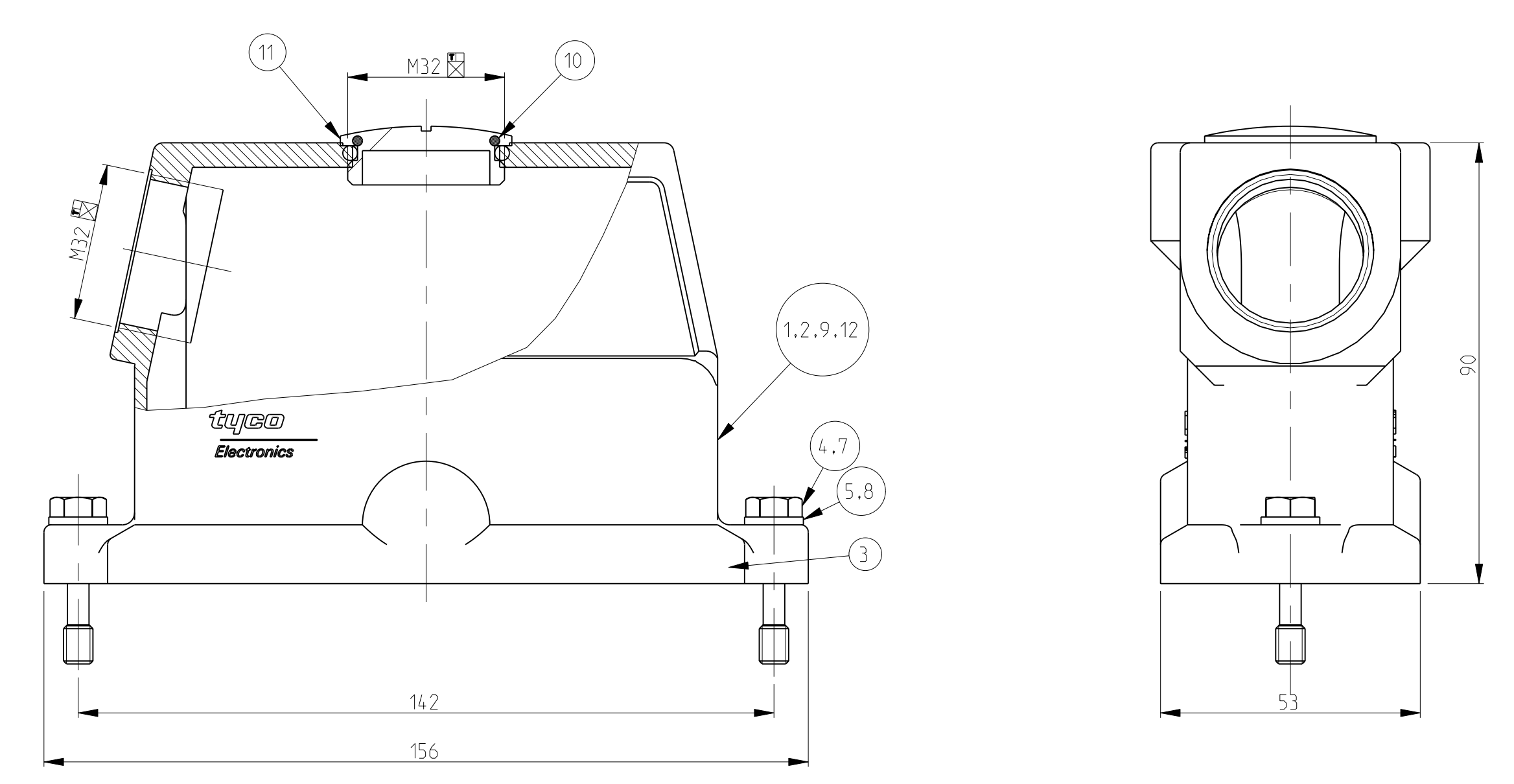
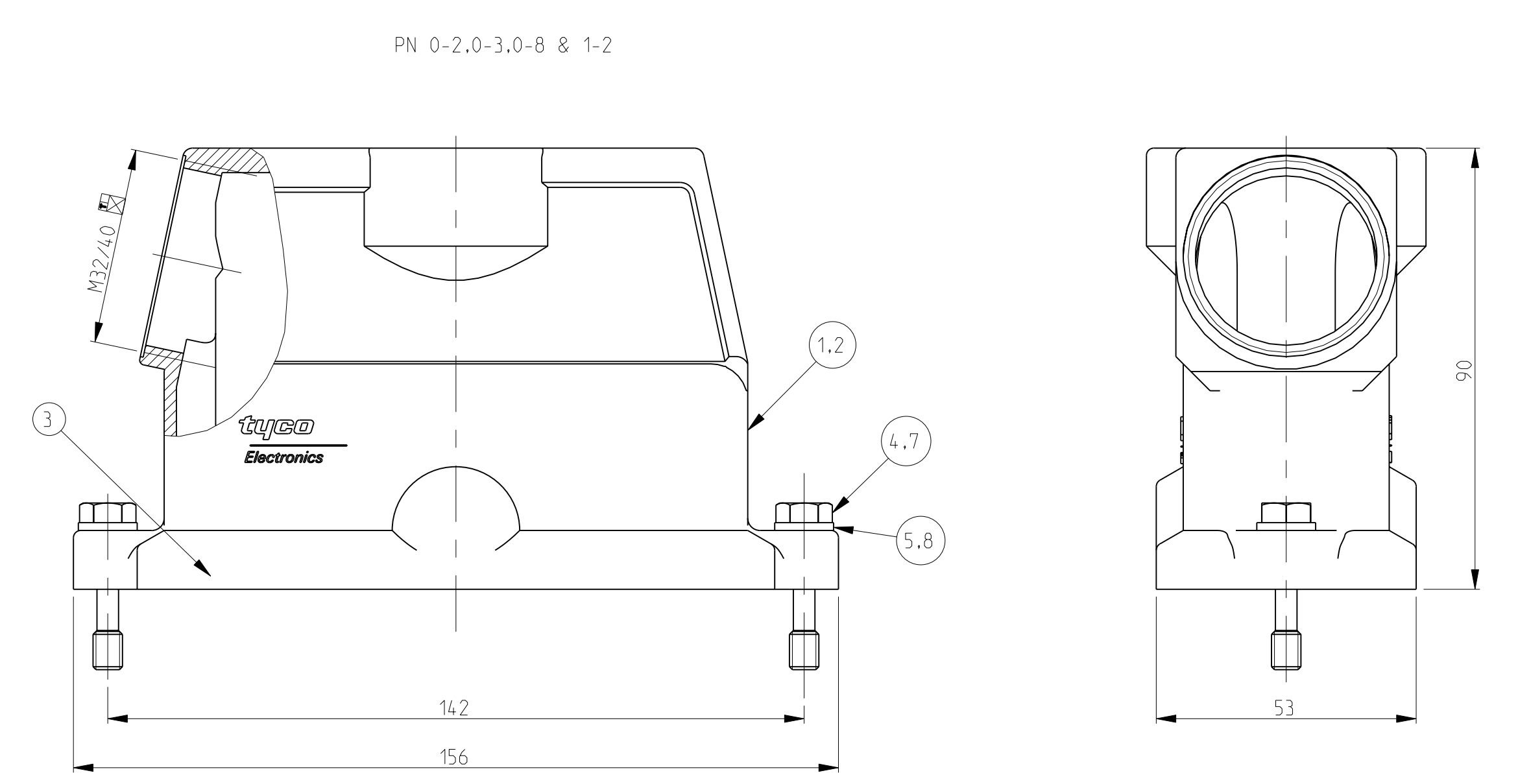


LOC	DIST	REV	DESCRIPTION	DATE	BY	APPD
A1	-	1	Released as per ECR-08-021956	29-Aug-2008	SP	TS

- NOTES.
- △ Material:Housing:Aluminium Diecasting Alloy
Seals:Neoprene conductivity
 - △ Surface:Varnish grey
_ChromITAL TCP passivation -Varnish Black
 - △ Packaging
Quantity 5 Pieces in a box
 - △ Special Packaging
Quantity 25 Pieces in a box
 - 5 Varnish on the inside not necessarily



QTY	DESCRIPTION	MATERIAL	SURFACE	COLOR	ITEM NO	REMARKS
1	Hood size 8 finished product	Aluminium	SUR TEC 650	Black RAL9005	13	
1	Hood size 8 finished product	Aluminium		Without varnish	12	
1	Blanking Piece	Brass	Nickel plated	Blue	11	
1	O-Ring	Neoprene		Black	10	
1	Hood size 8 finished product	Aluminium		White Aluminium	9	
2	Washer, Plain	Stainless steel	Blank		8	B6.4
2	Screw, Hexagon Bolt	Stainless steel	Blank		7	M6x30
2	Hood size 8 finished product	Aluminium	SUR TEC 650	Black RAL9005	6	
2	Washer, Plain	Stainless steel	Blank		5	B6.4
2	Screw, Hexagon Bolt	Stainless steel	Blank		4	M6x30
1	Seal	Neoprene		Black	3	Conductivity
1	Hood size 8 finished product	Aluminium	SUR TEC 650	Black RAL9005	2	
1	Hood size 8 finished product	Aluminium		Grey RAL7001	1	

EMV-24/64-STO-1.M40.G	△
EMV-24/64-STO-1.M40.G	△
EMV-K-24/64-STO-1.M40.G	△
EMV-K-24/64-STO-1.M40.G	△
EMV-24/64-STO-1.M20.G	△
EMV-24/64-STO-1.M25.G	△
EMV-K-24/64-STO-1.M25.G-1.M32.G	△
EMV-K-24/64-STO-1.M32.G	△
EMV-K-24/64-STO-1.M32.G-STO-1.M32.G	△
EMV-24/64-STO-1.M32.G-STO-1.M32.G	△
EMV-24/64-STO-1.M32.G-STO-1.M32.G	△
EMV-K-24/64-STO-1.M40.G-WE	△
EMV-K-24/64-STO-1.M25.G	△
EMV-24/64-STO-1.M32.G-STO-1.M32.G	△
EMV-K-24/64-ST	△
EMV-K-24/64-STO-1.M32.G	△
EMV-K-24/64-STO-1.M40.G-Neutral	△
EMV-24/64-STO-1.M32.G-STO-1.M32.G	△

TYCO ELECTRONICS CORPORATION

DATE: 01.08.2008

BY: Schneider

APPD: Schneider

NAME: Tyco Electronics - AMP-EMV

ADDRESS: 0-53757 Sankt Augustin, Germany

DESCRIPTION: Hood

EMV-24/64-Sto/Sts with M-Thread

SCALE: 1:1

SHEET: 1 of 1

REV: A10